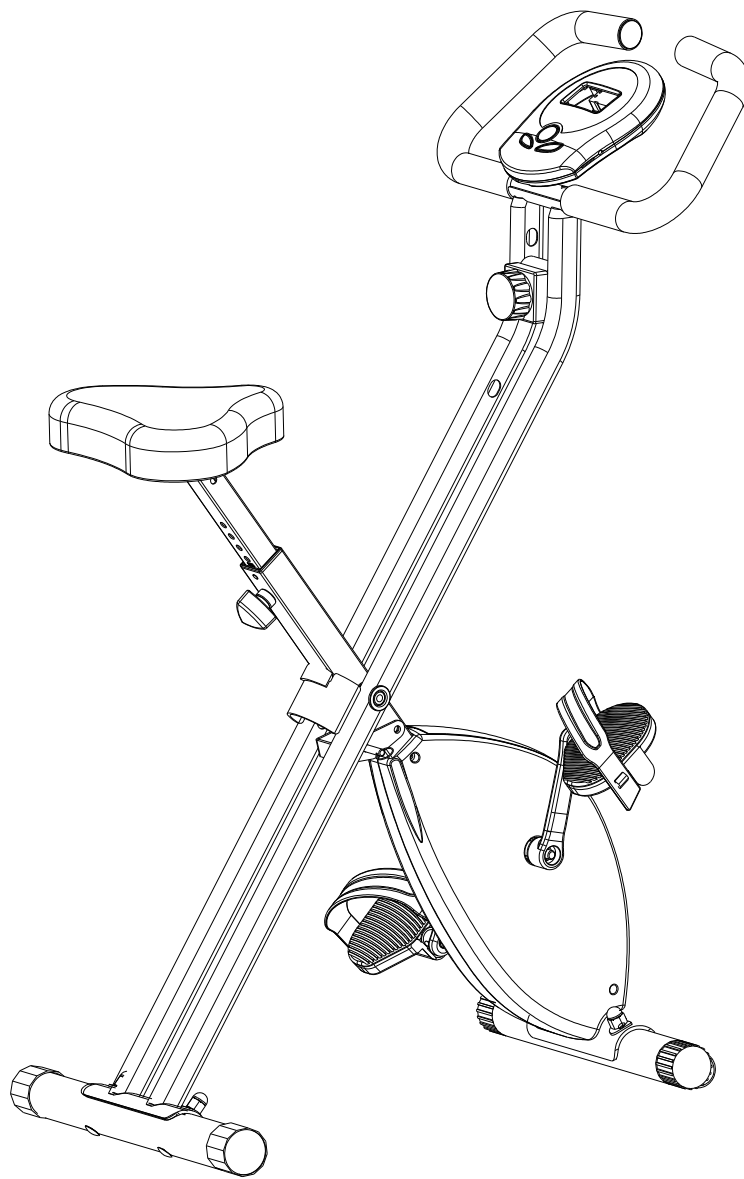
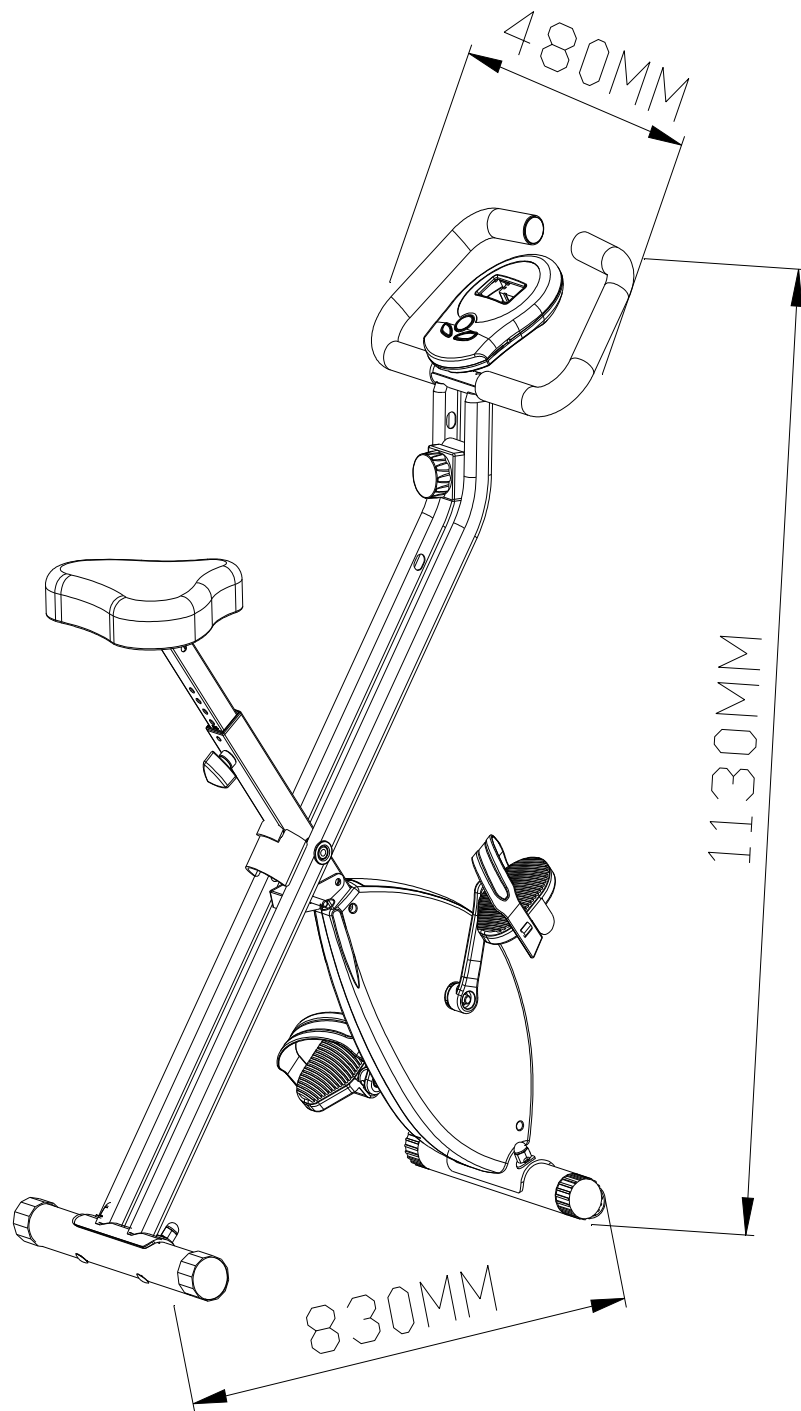


GORILLA SPORTS

X-BIKE(100940)





MAXIMUM LOAD:100KG



GORILLA SPORTS



6X

washer

$\Phi 8.2 \times \Phi 20 \times 1.5 \times R25$



4X

nut M8×1.25



3X

washer

$\Phi 8.5 \times \Phi 16 \times 1.5T$



2X

screw

$\Phi 8.5 \times \Phi 16 \times 1.5T$



3X

nylon nut

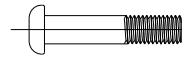
M8×1.25



2X

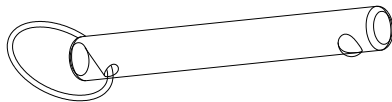
washer

$\Phi 8.2 \times \Phi 16 \times 1.5$



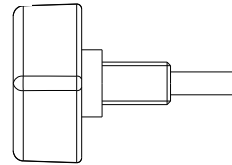
2X

bolt M8×45



1X

lock pin



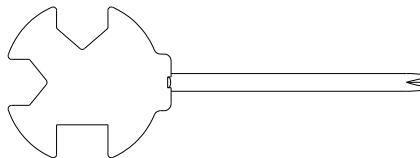
1X

Knob M12×1.75



1X

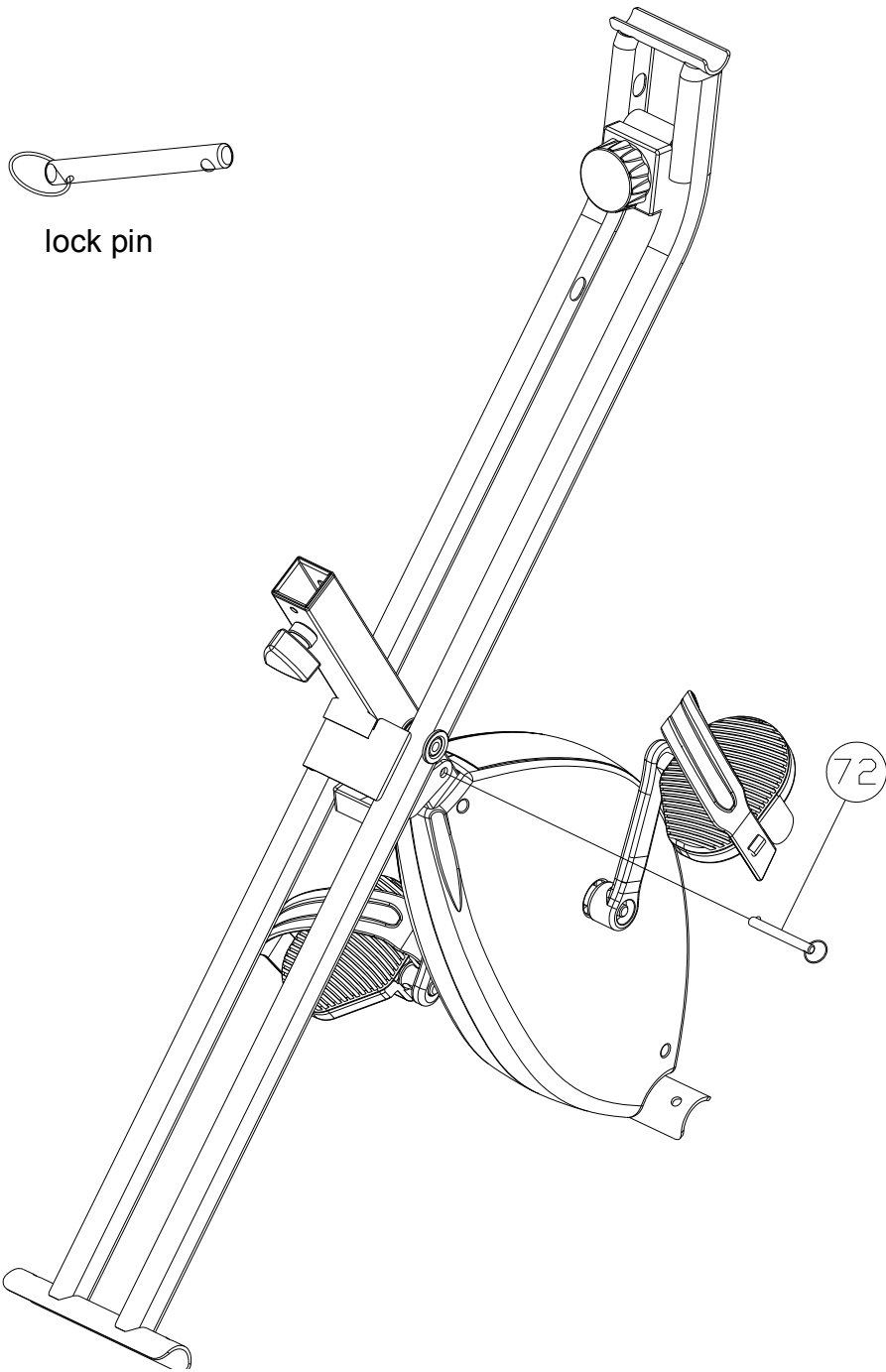
Spanner
5MM



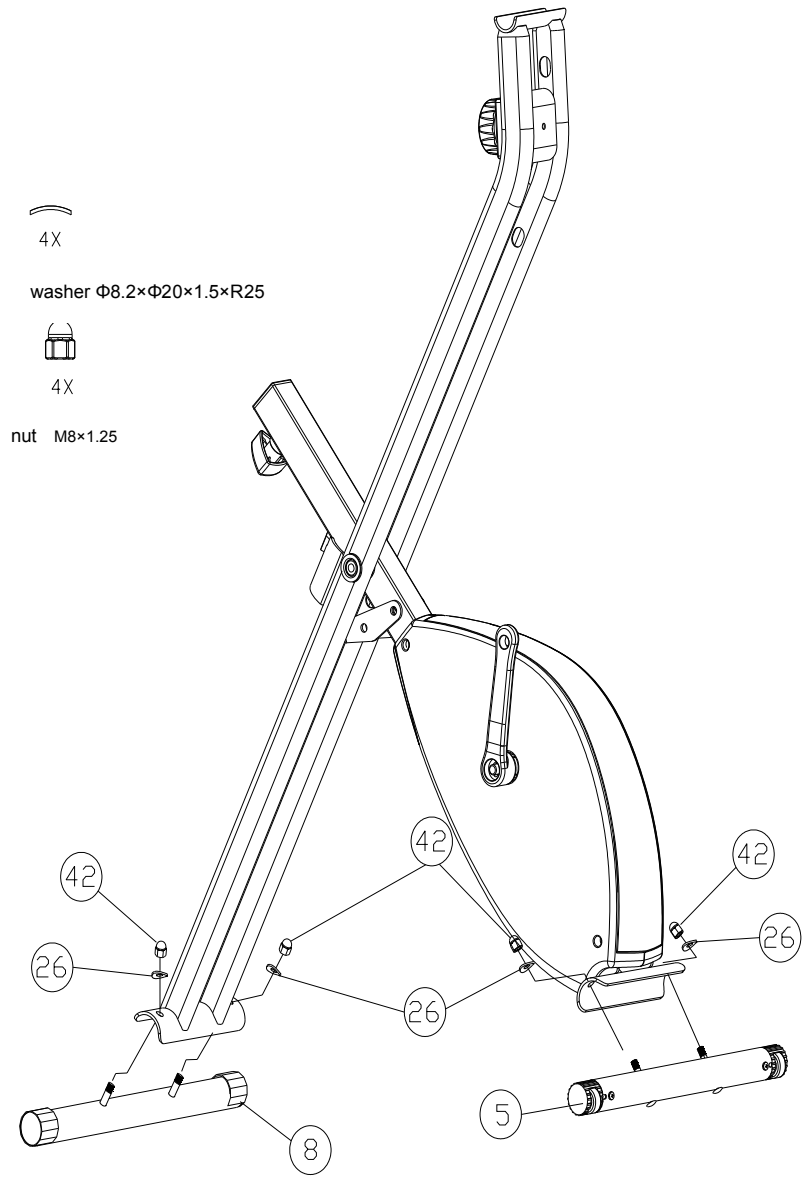
1X

Spanner
13/14/15



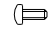
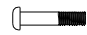
1

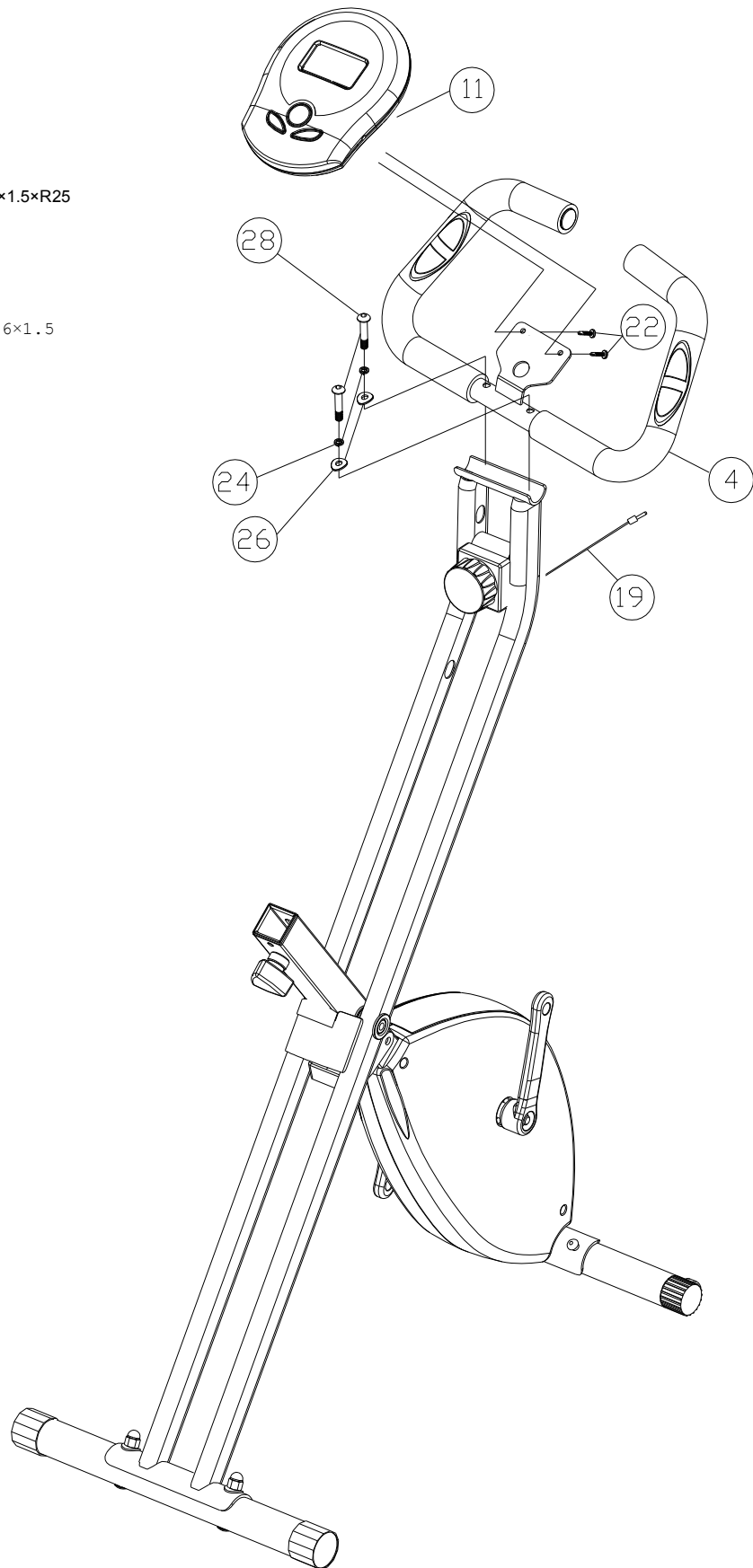


2

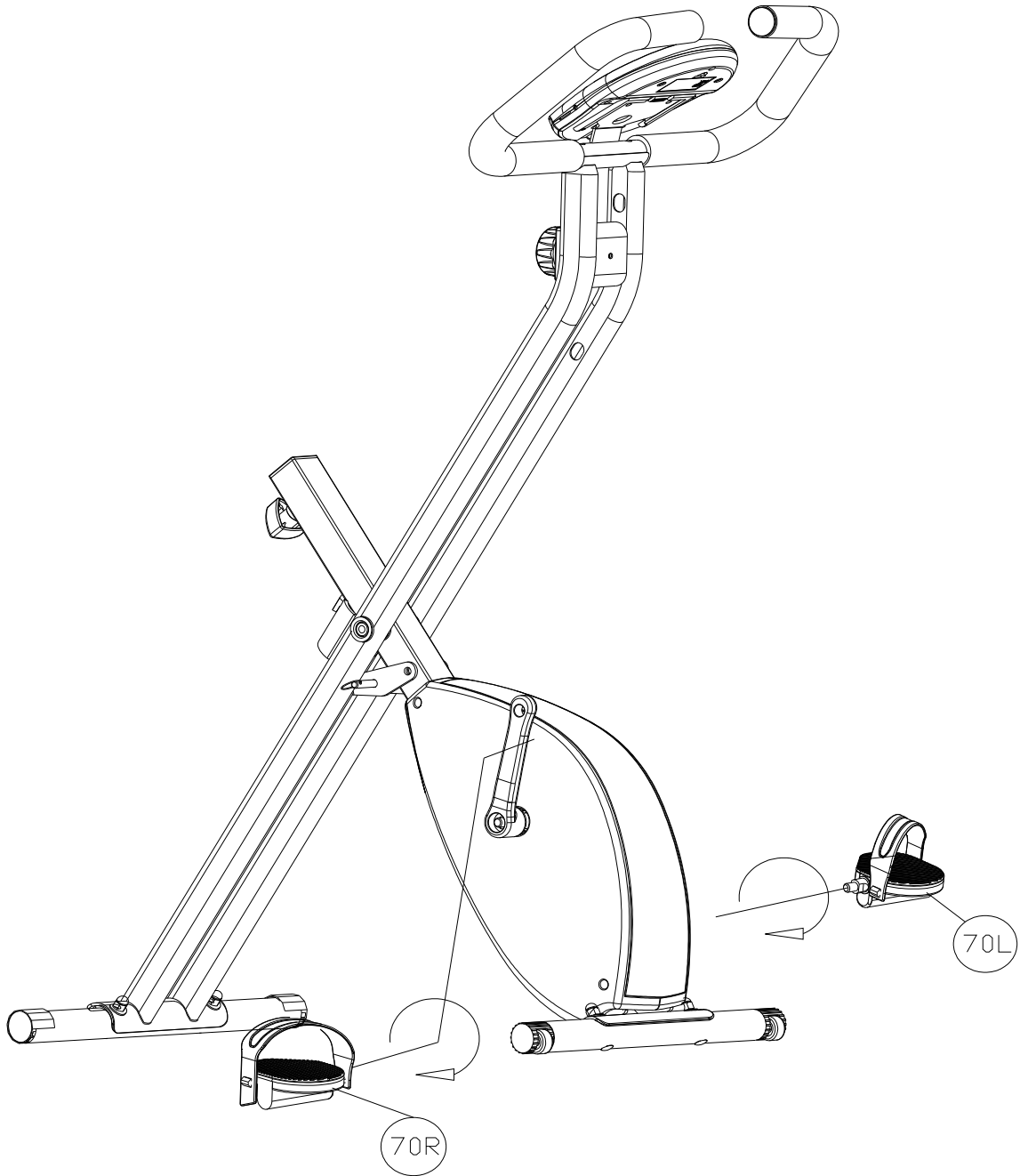


3


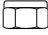
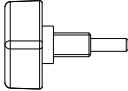
- 
2X
washer $\Phi 8.2 \times \Phi 20 \times 1.5 \times R25$
- 
2X
washer $\Phi 8.2 \times \Phi 16 \times 1.5$
- 
2X
Screw M5×14L
- 
2X
Bolt M8×45thread15

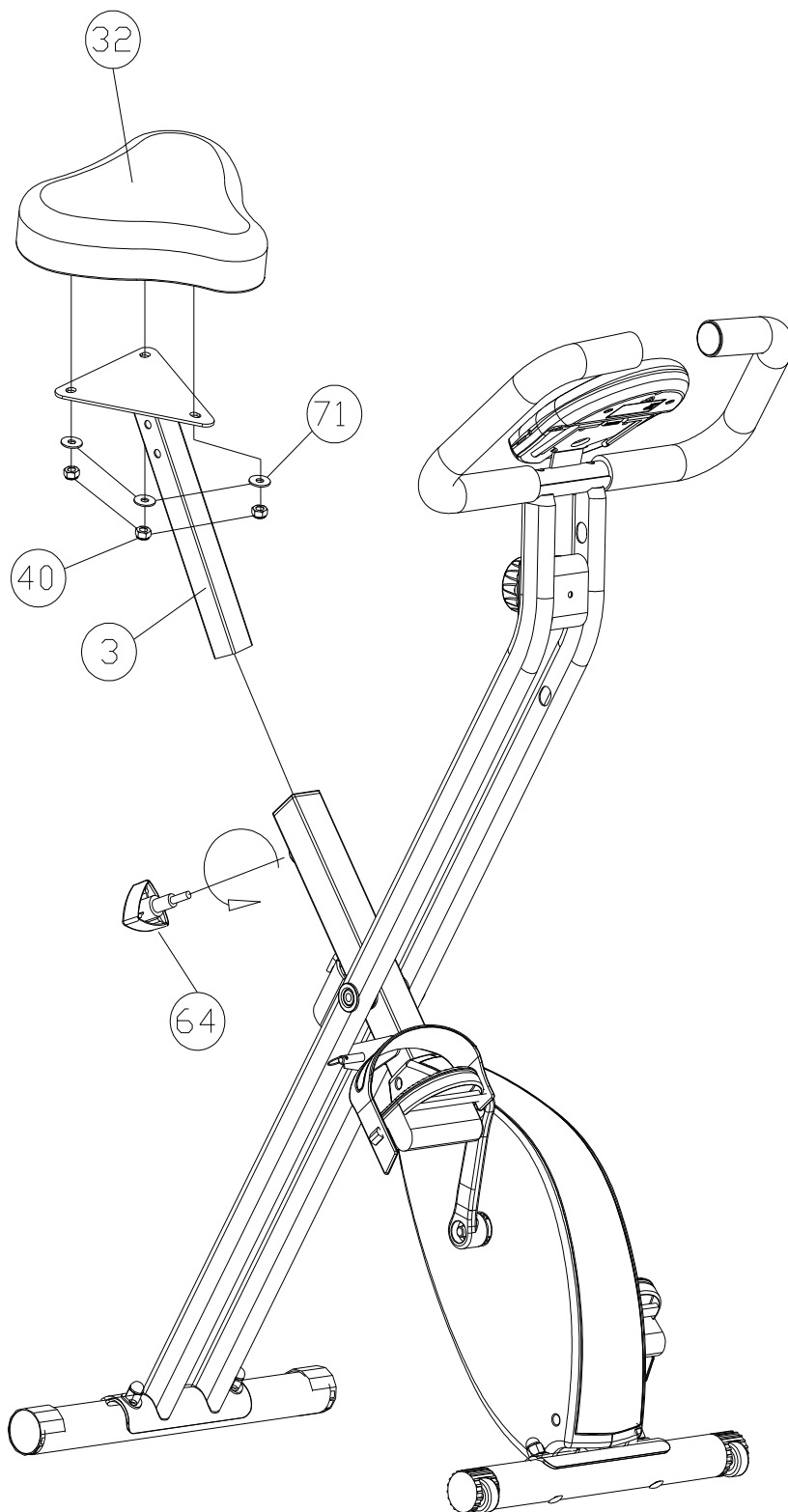


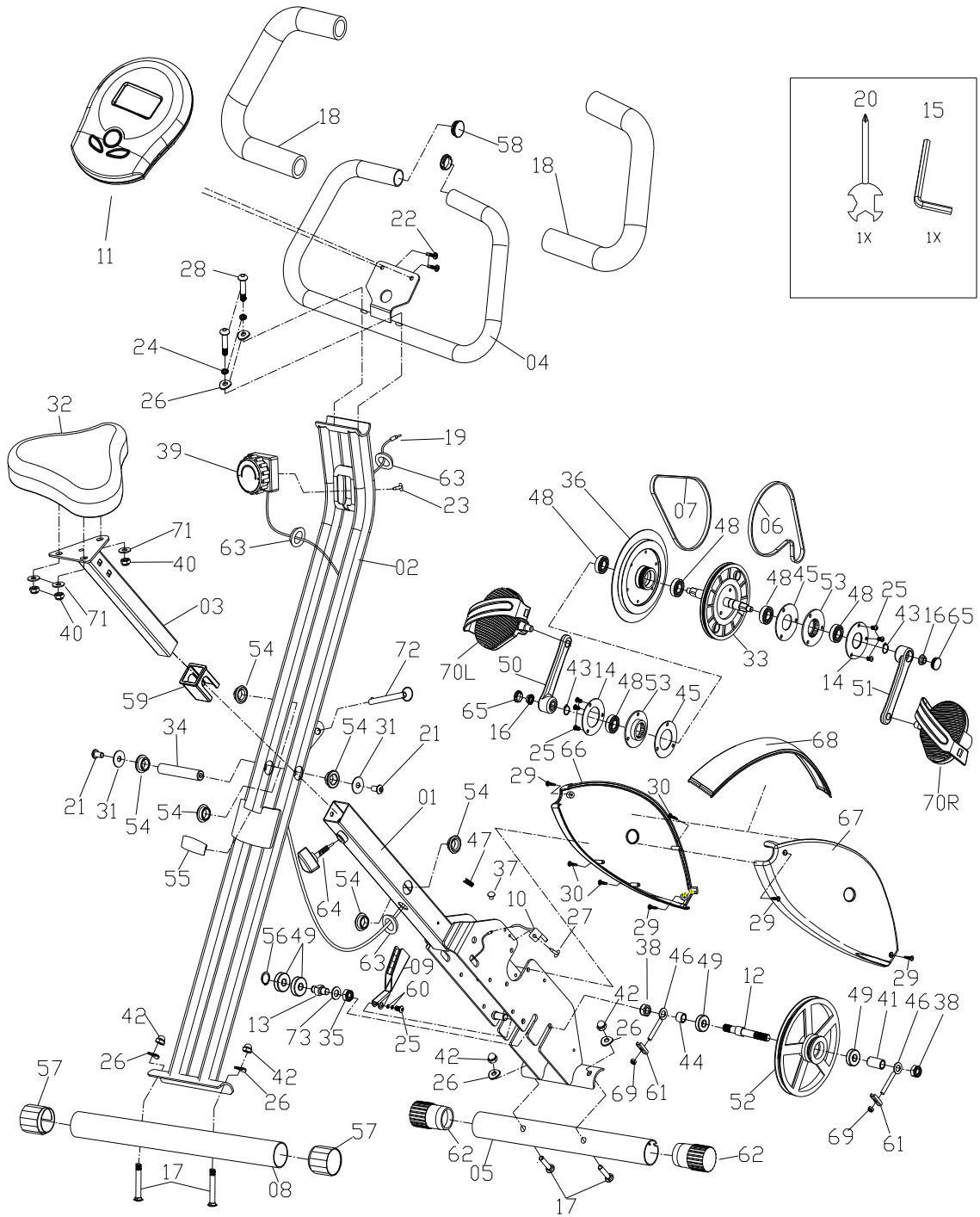
4



5

- 
3X
Washer $\Phi 8.5 \times \Phi 16 \times 1.5T$
- 
3X
nylon nut M8 \times 1.25
- 
1X
Knob M12 \times 1.75





PARTS LIST

NO.	NAME	QUANTITY
1	main frame I	1
2	main frame II	1
3	saddle post	1
4	handle bar	1
5	front stabilizer	1
6	belt	1
7	belt	1
8	rear stabilizer	1
9	magnet fixed plate	1
10	monitor wire	1
11	monitor	1
12	driven axle	1
13	idle axle	1
14	plate	2
15	spanner	1
16	hex nut	2
17	bolt	4
18	foam	2
19	monitor wire	1
20	spanner	1
21	Screw M8×16 S=5	2
22	Screw M5×14,full thread	2
23	Screw M5×20	1
24	spring washerd8.2	2
25	screw M6×14	6
26	spacerΦ8.2×Φ20×1.5×R25	6
27	self-tapping screwST4.2×19 Φ8	1
28	screwM8×45,thread 15	2
29	self-drilling and tapping screwST4.2×19,Φ8	4
30	self -tapping screw ST4.2×19 ,Φ8	6
31	washerΦ8.2×Φ26×1.5	2
32	saddle	1
33	belt pulley	1
34	rotation shaft	1
35	nylon nut	1
36	flywheel	1
37	stopper	1
38	hex nut M10×1.0	2
39	resistance knob	1

40	nylon nut GB/T889.1-2000 M8×1.25	3
41	driven axle sleeve-long	1
42	nut M8×1.25, GB/T 923-2004	4
43	external circlip GB/T894.2-1986,d17	6
44	driven axle sleeve-short	1
45	bearing end cover reinforcement $\varnothing 74 \times 1.5t$	2
46	boltd10.2×M6×40L	2
47	compression spring	1
48	bearing6003Z	4
49	bearing6000Z	4
50	crank -left	1
51	crank-right	1
52	driven flywheel	1
53	bearing seat	2
54	bearing sleeve $\varnothing 22 \times \varnothing 16 \times 8$ PP	4
55	pad	1
56	external circlip GB/T894.2-1986,d10	1
57	rear stabilizer plug	2
58	round head plug	2
59	tube bushing	1
60	washer	2
61	block plate	2
62	front stabilizer end plug with wheels	2
63	oval plug	3
64	Knob M12×1.75 pp	1
65	crank cover	2
66	cover-left	1
67	cover-right	1
68	front cover	1
69	Nut M5	2
70L	pedal-left	1
70R	pedal-right	1
71	washer GB/T97.1-2002 $\varnothing 8.5 \times \varnothing 16 \times 1.5T$	3
72	lock pin	1
73	washer $\varnothing 12 \times \varnothing 25 \times 1.5$	1