

GORILLA SPORTS

SISSY SQUAT PROFI(100960)

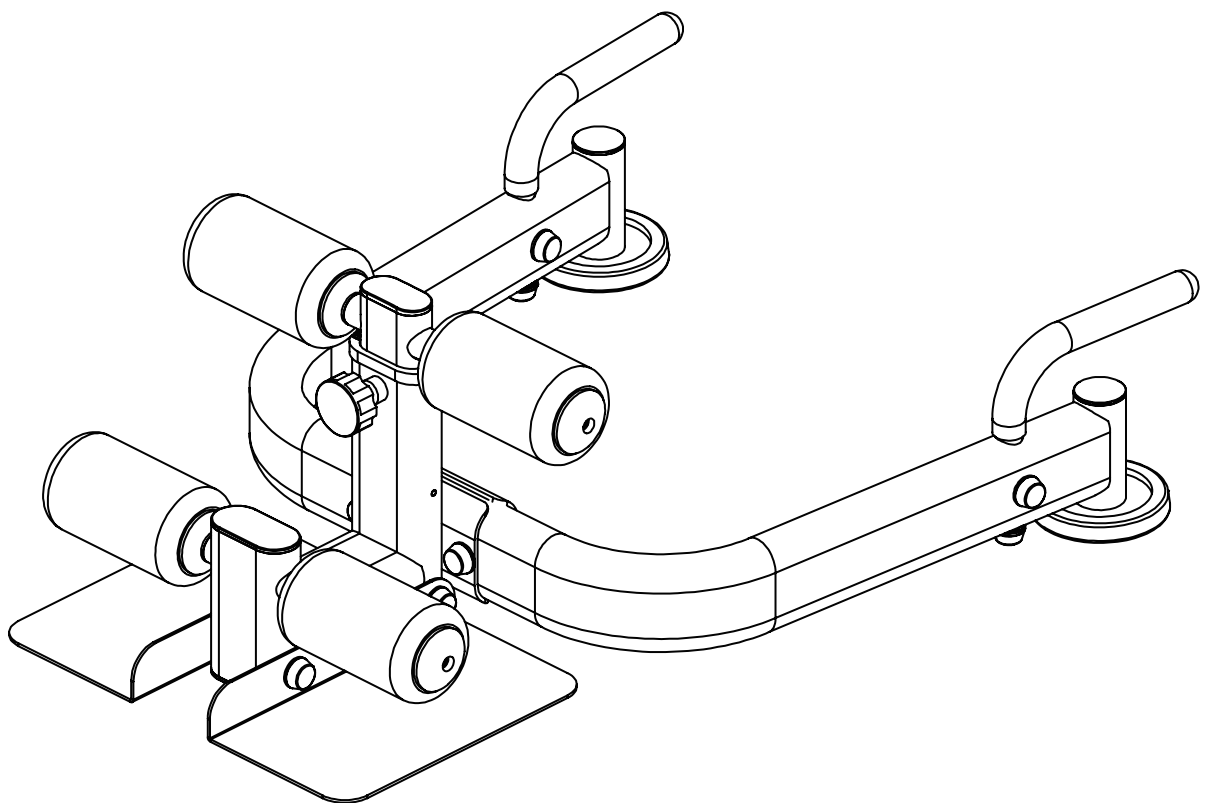


Table of Contents

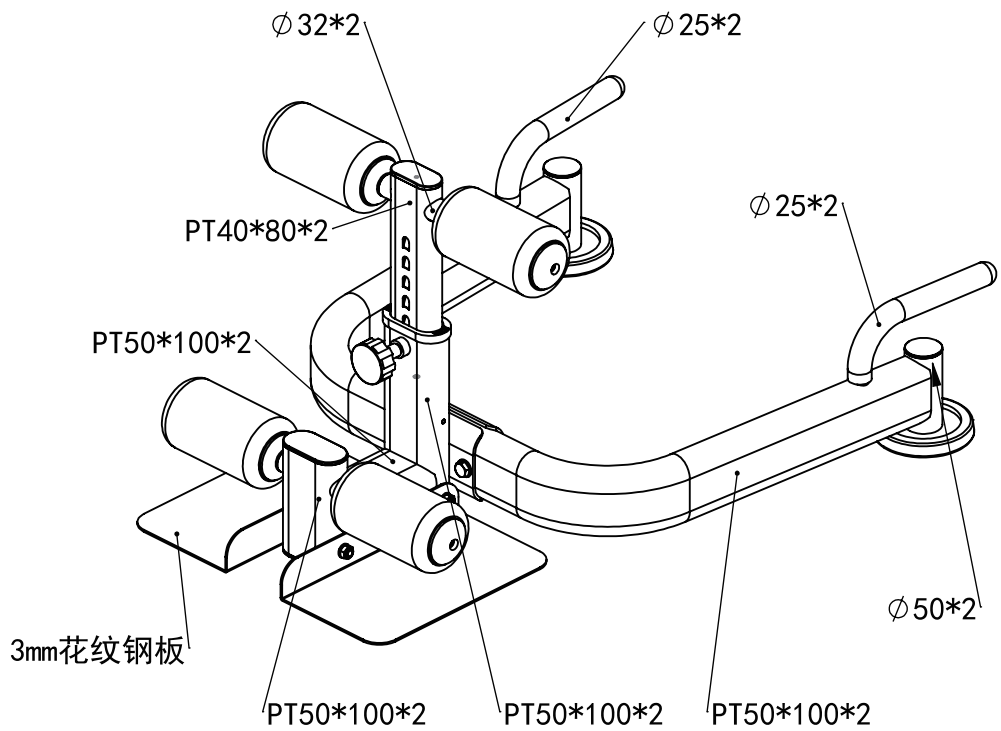
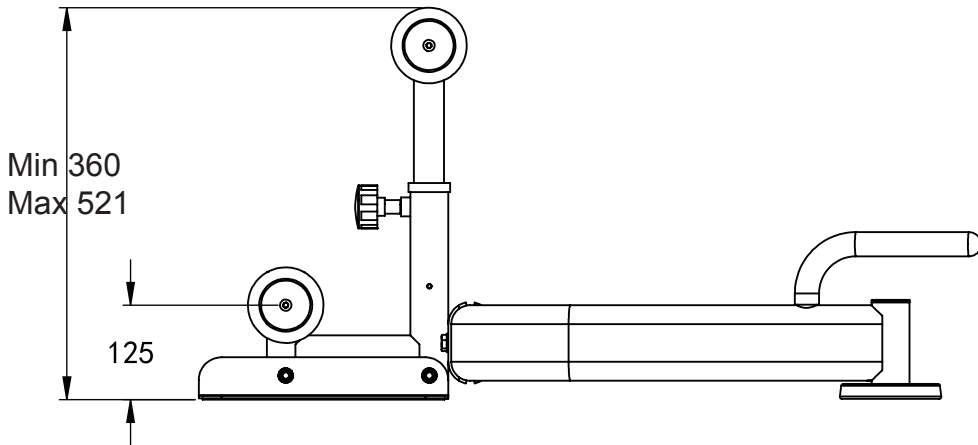
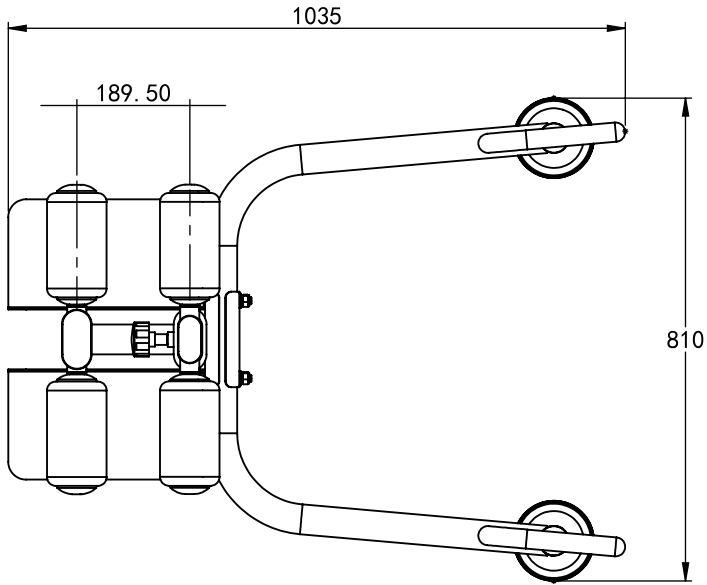


GORILLA SPORTS

PROFESSIONAL GYM EQUIPMENT FOR EVERYONE

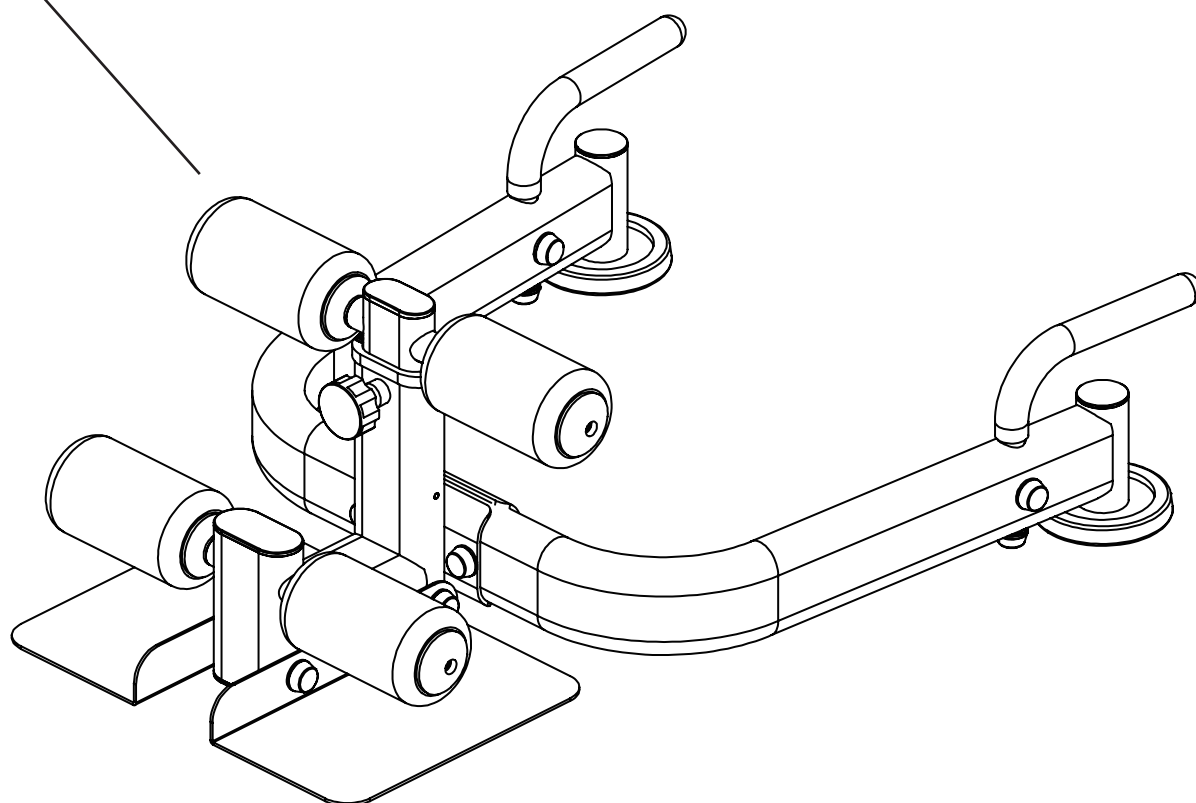
Parametric Diagram.....	3
Product load-bearing instructions.....	4
Spare parts list	5
Fasteners drawing	6
Assembly step(1).....	7
Assembly step(2).....	8
Assembly step(3).....	9
Assembly step(4).....	10

Parametric Diagram



Product load-bearing instructions

Maximum user load 150KG



Spare parts list



GORILLA SPORTS

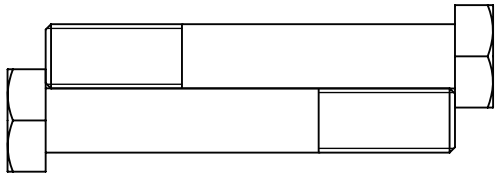
PROFESSIONAL GYM EQUIPMENT FOR EVERYONE

No.	Description	Note	Qty.
1	back base frame		1
2	front base frame		1
3	hexagon bolt	M12x75	2
4	lock nut	M12	2
5	big washer	Φ12	4
6	plastic cover		12
7	reinforcing plate	160x130	1
8	hand support tube		2
9	hexagon bolt	M10x65	2
10	lock nut	M10	4
11	big washer	Φ10	8
12	hexagon bolt	M10x25	2
13	adjustment tube		1
14	locking spring knob	M18x1.5	1
15	hexagon bolt	M10x120	2
16	sponge rod		2
17	sponge	Φ100	4
18	hexagon socket button head bolt	M8x20	4
19	sponge inner cap		4
20	sponge outer cap		4
21	curved washer		2
22	footplate-left		1
23	footplate-right		1

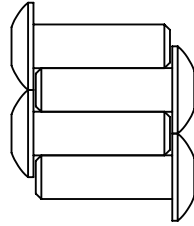


GORILLA SPORTS

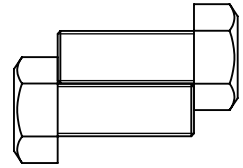
PROFESSIONAL GYM EQUIPMENT FOR EVERYONE



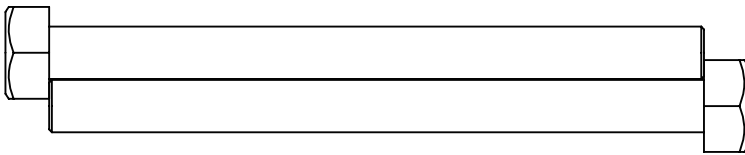
M12*75 2PCS



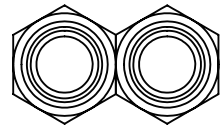
M8*25 4PCS



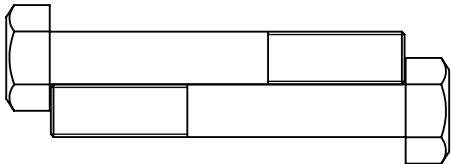
M10*25 2PCS



M10*120 2PCS



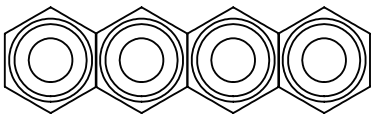
M12 2PCS



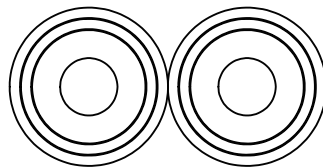
M10*65 2PCS



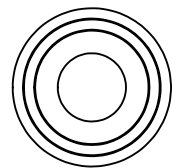
φ 10 curved washer 2PCS



M10 2PCS



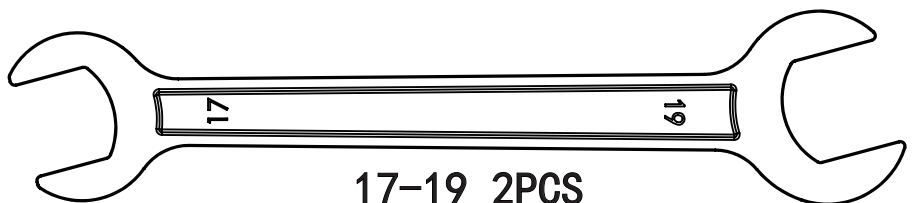
φ 10 10PCS



φ 12 4PCS

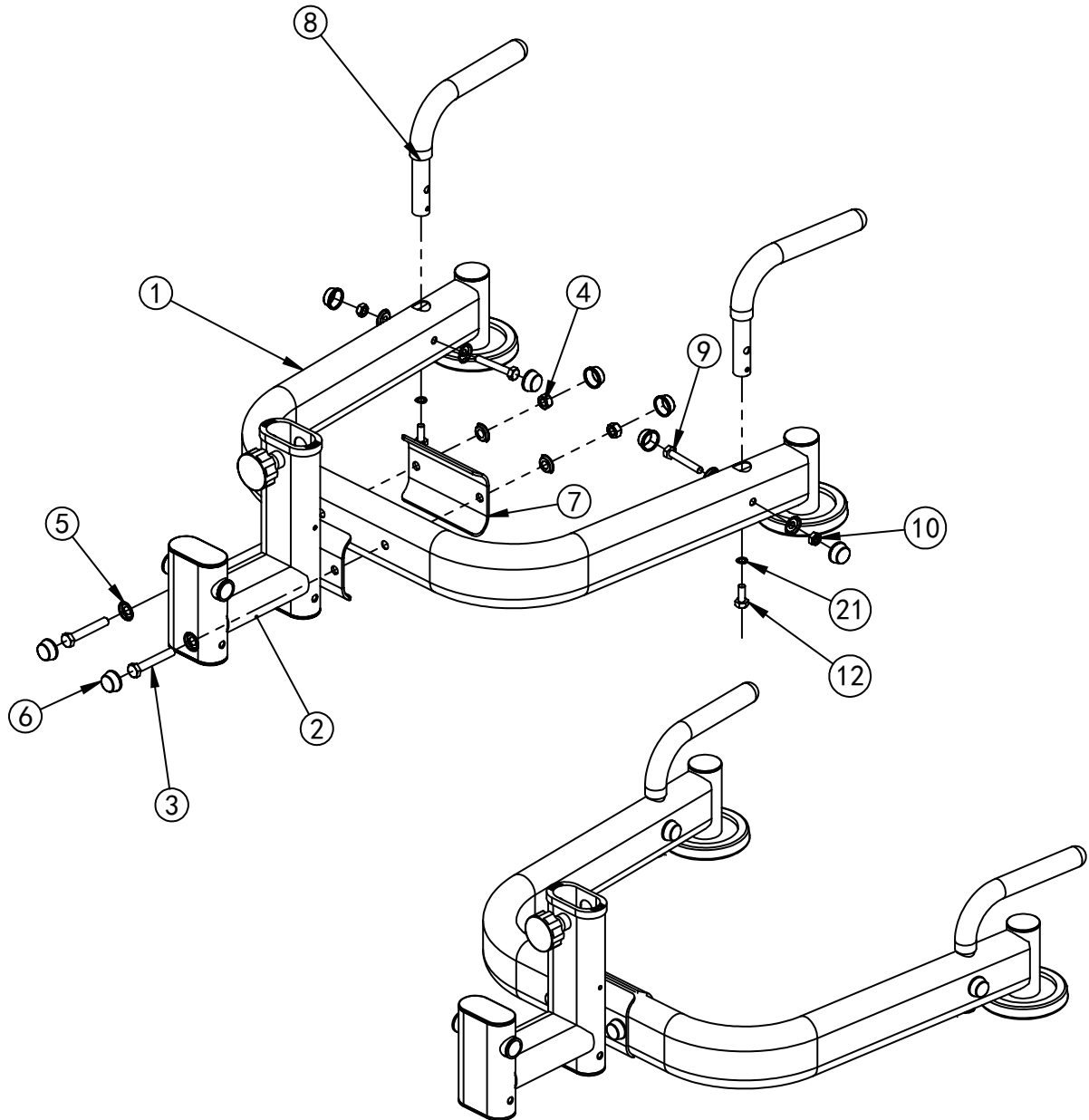


5MM 1PCS



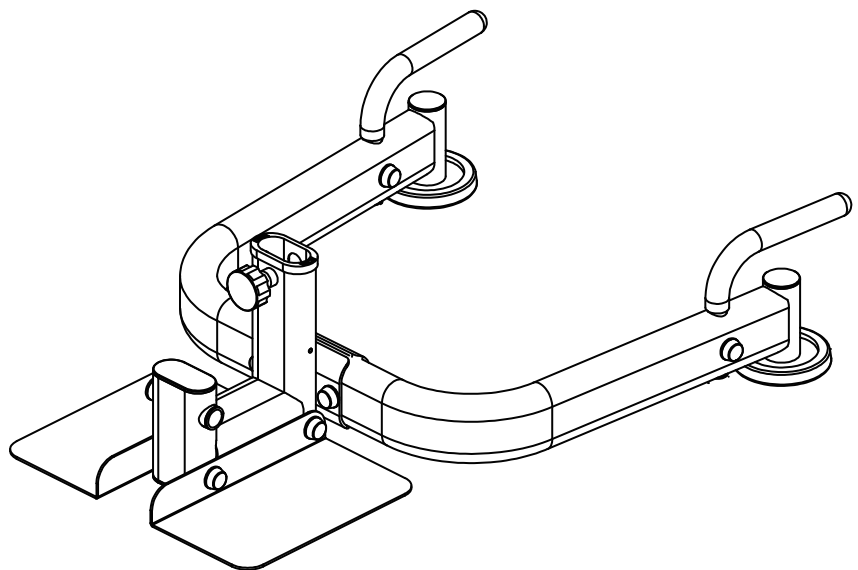
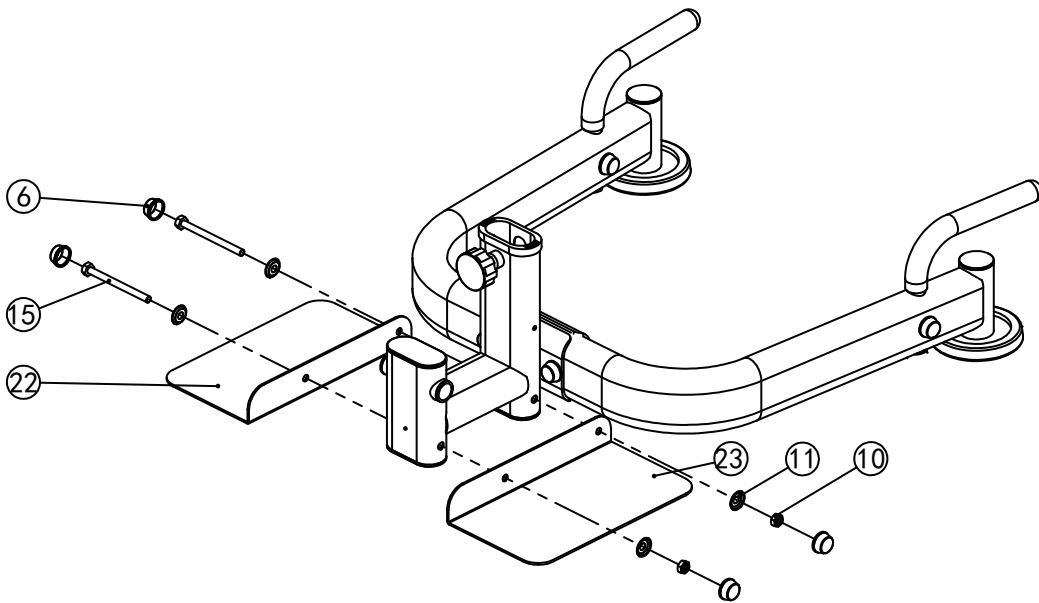
17-19 2PCS

Assembly step (1) explosion drawing



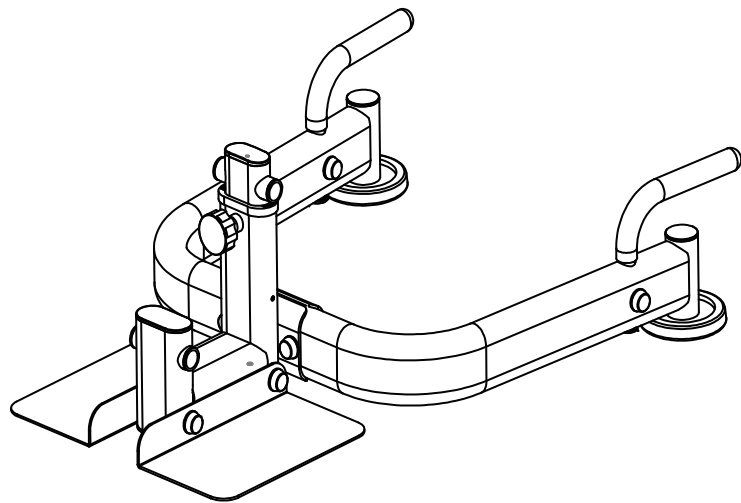
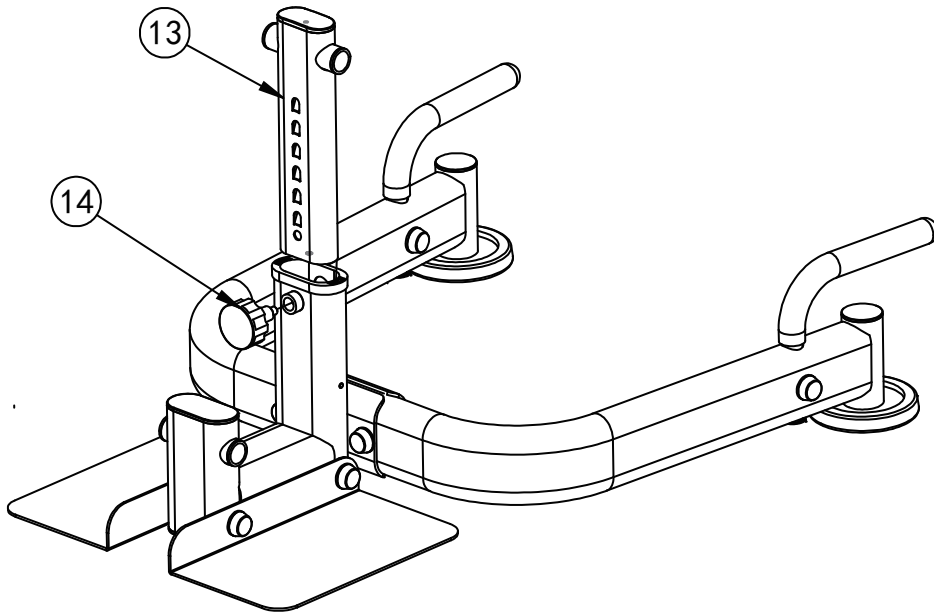
No.	Description	Note	Qty.
1	back base frame		1
2	front base frame		1
3	hexagon bolt	M12x75	2
4	lock nut	M12	2
5	big washer	Φ12	4
6	plastic cover		8
7	reinforcing plate	160x130	1
8	hand support tube		2
9	hexagon bolt	M10x65	2
10	lock nut	M10	2
11	big washer	Φ10	4
12	hexagon bolt	M10x25	2
21	curved washer		2

Assembly step (2) explosion drawing



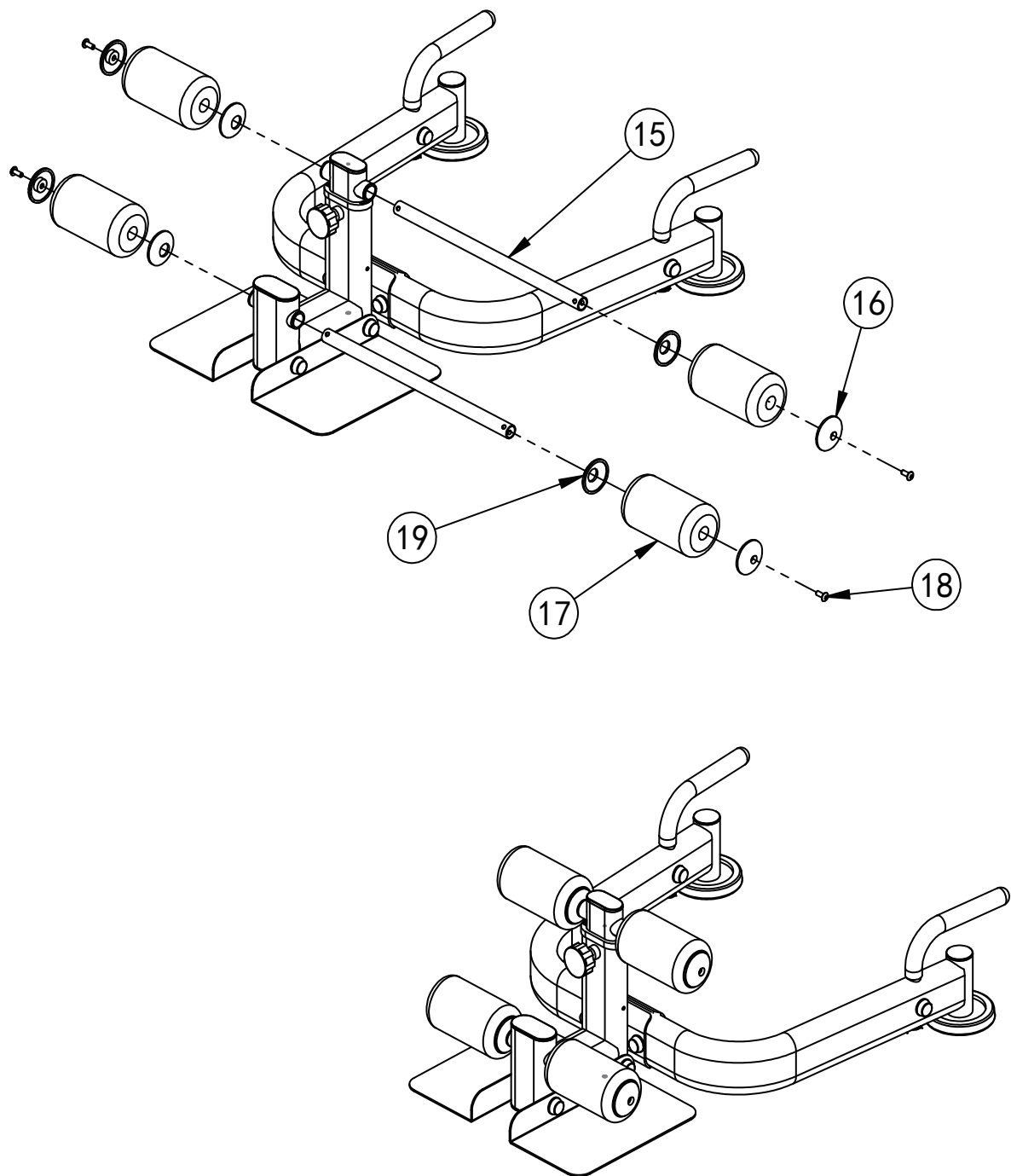
No.	Description	Note	Qty.
22	footplate-left		1
23	footplate-right		1
11	big washer	Φ10	4
6	plastic cover		4
10	lock nut	M10	2
15	hexagon bolt	M10x120	2

Assembly step (3) explosion drawing



No.	Description	Note	Qty.
13	adjustment tube		1
14	locking spring knob	M18x1.5	1

Assembly step (4) explosion drawing



No.	Description	Note	Qty.
16	sponge rod		2
17	sponge	Φ100	4
18	hexagon socket button head bolt	M8x20	4
19	sponge inner cap		4
20	sponge outer cap		4